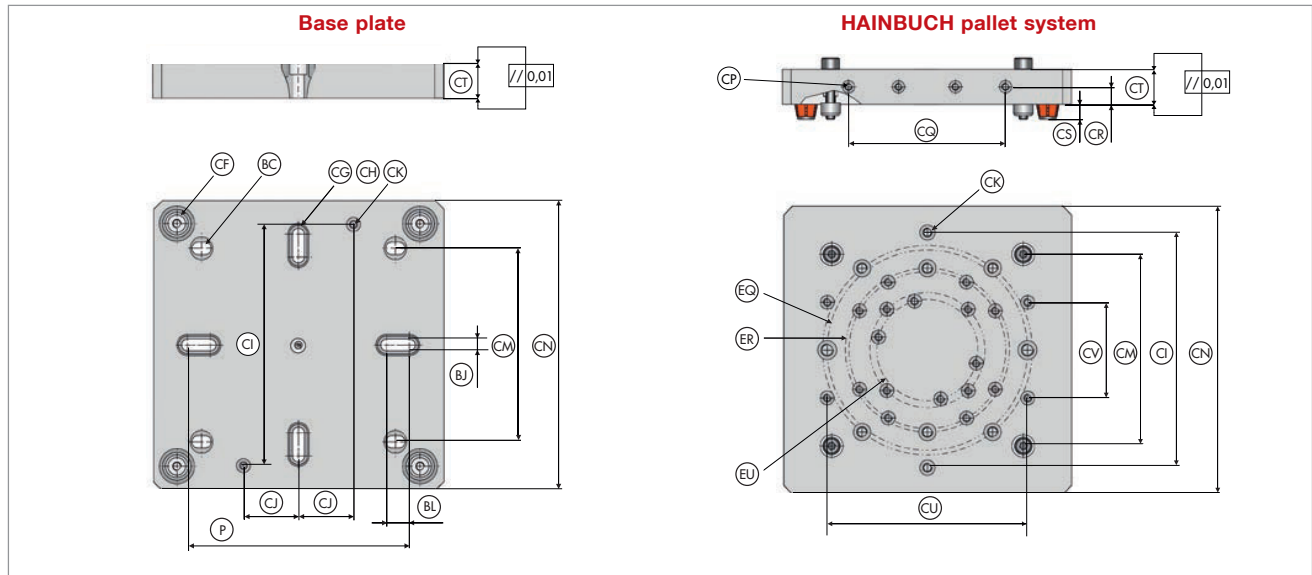


QUICK CHANGE-OVER SYSTEMS

CENTREX pallet system

Base plate / HAINBUCH pallet system. Technical data



Product		Base plate	HAINBUCH pallet system
Outer dimensions [square]	CN	330 x 330	
Repeatability [mm]		0,003	
Bushings	CF	Positioning element bushing [4 x]	
Plate thickness [mm]	CT	40	
Distance of the ring nut thread in the x-direction [mm]	CJ	53,5	
Distance of the ring nut thread in the y-direction [mm]	CI	276	270
Ring nut thread	CK	M10 [2 x]	
Distance of the quick change unit [mm]	CM	220 x 220	
Screw connection width [mm]	P	252	
Grooves [mm]	BL	46 [4 x]	
Groove width [mm]	BJ	13,5	
Mounting slots for T-groove table with groove spacing [mm]	CG	63; 80; 100	
Mounting slots for hole-grid machine tables with hole spacing [mm]	CH	40; 50; 100	
Max. actuating torque [Nm]	BC	59	
Spacing handle bores [mm]	CQ		160
Handle bore height [mm]	CR		20
Handle fastening	CP		M 8 [4 x]
Centering taper height [mm]	CS		17
Hole spacing in x [mm]	CU		230
Hole spacing in y [mm]	CV		110
Bolt hole circle for MANOK plus	EQ		LK Ø 230 [2 x M14]
Bolt hole circle for MANOK / ms dock	ER		LK Ø 188 [2 x M12]
Bolt hole circle for hs dock	EU		LK Ø 116 [4 x M8]
Weight [kg]		12	15
In stock		✓	✓
Order no.		1206/0001	1207/0001

Scope of delivery base plate

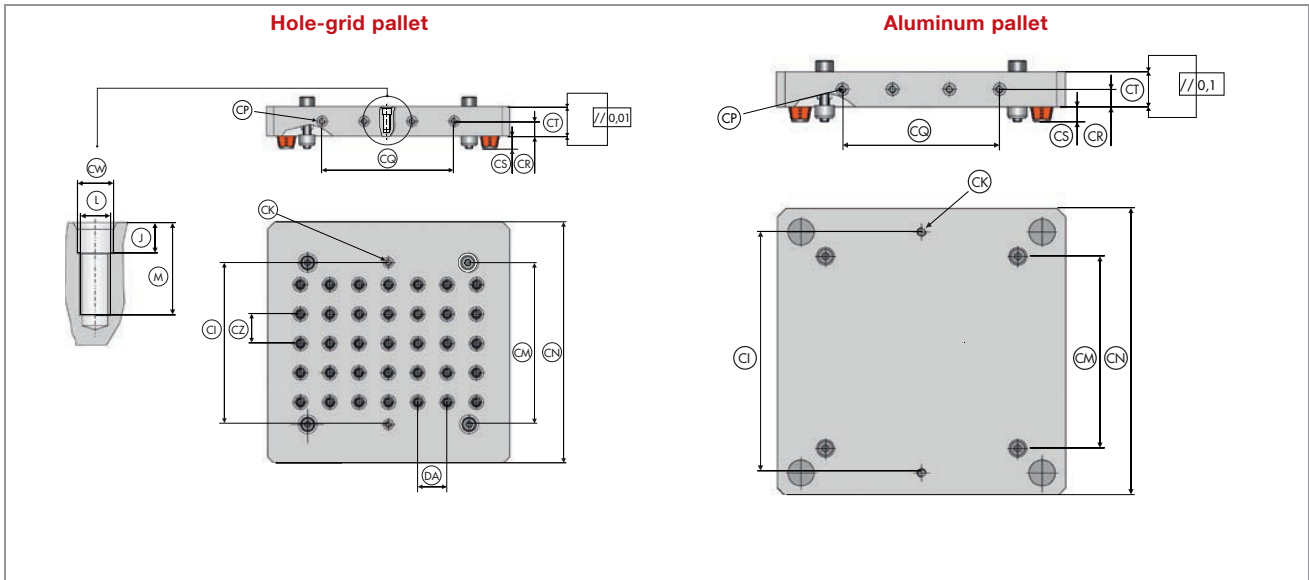
- Base plate

Scope of delivery HAINBUCH pallet system

- Pallet
- 2 handles

QUICK CHANGE-OVER SYSTEMS
CENTREX pallet system

Hole-grid pallet / aluminum pallet. Technical data



Product		Hole-grid pallet	Aluminum pallet
Outer dimensions [square]	CN	330 x 330	
Repeatability [mm]		0,003	
Plate thickness [mm]	CT	40	
Distance of the ring nut thread in the y-direction [mm]	CI	220	276
Ring nut thread	CK	M10 [2 x]	
Spacing handle bores [mm]	CQ	160	
Handle bore height [mm]	CR	20	
Handle fastening	CP	M 8 [8 x]	M 8 [4 x]
Distance of the quick change unit [mm]	CM	220 x 220	
Centering taper height [mm]	CS	17	
Grid spacing in the x-direction [mm]	DA	40	
Grid spacing in the y-direction [mm]	CZ	40	
Countersink Ø	CW	Ø 12 f7	
Height [mm]	J	10	
Thread size [M]	L	10	
Depth of thread [mm]	M	26	
Weight [kg]		13	14
In stock		✓	✓
Order no.		1207/0003	1207/0002

Scope of delivery

- Pallet
- 2 handles

Quick change-over systems

Clamping heads, Bushings, Jaws

Accessories

Multi spindles